

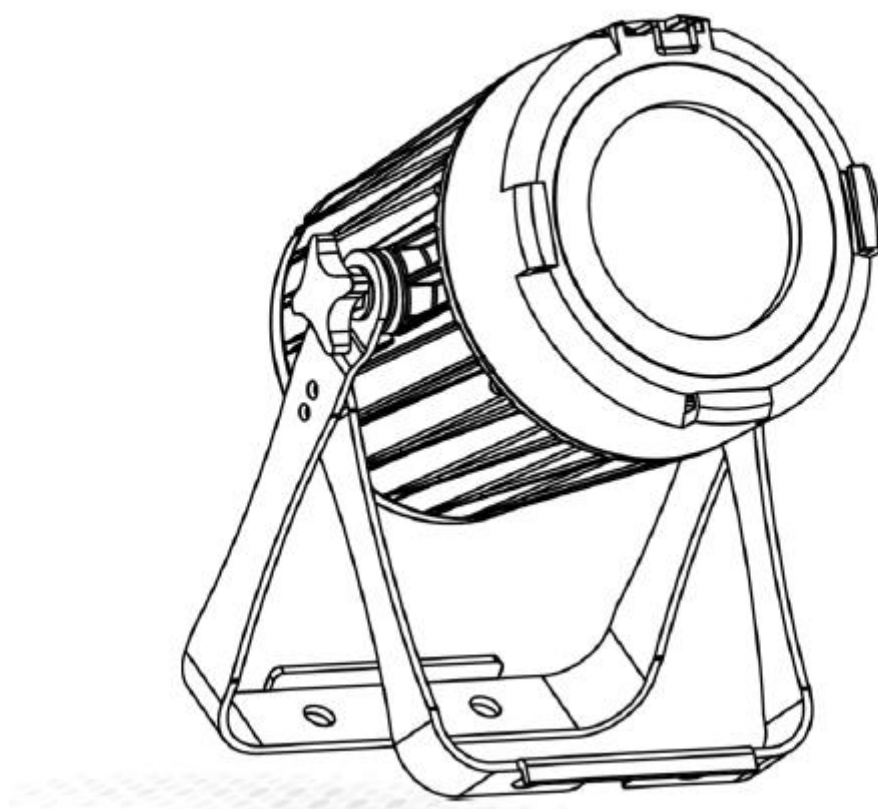
SHOWPRO

SILVER STAR
Professional Lighting

LED PixPAR 2 Plus 60w

LEDPAR208

USER MANUAL

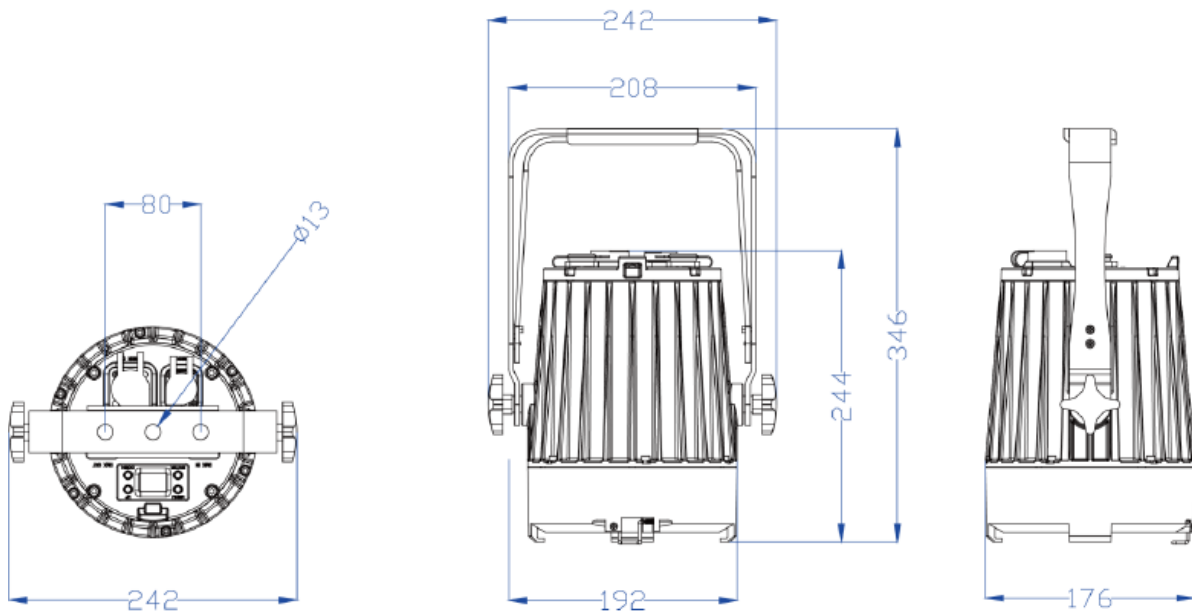


1 PRODUCT

1.1 TECHNICAL SPECIFICATIONS

Type	LED PixPAR 2 Plus 60w
LED	RGBW 60w LED
Power	85W
Voltage Range	AC100~240V,50/60Hz
Beam Angle	4.5°-45°
Protection	IP65
Operation Temperature	-20°C~45°C
Dimensions	346x242x176mm
Weight	5.4kg

DIMENSIONS



1.2 Safety Notes

IMPORTANT

- This product must be installed by a qualified professional.
- In order to maintain this condition and to ensure a safe operation, it is absolutely necessary for the user to follow the safety instructions and warning notes
- The manufacturer will not accept liability for any resulting damages caused by the non-observance of this manual or any unauthorized modification to the device.

CAUTION!

- Make sure that the available voltage is not higher than stated on the rear panel.
- Do not touch the power cables if your hands are wet.
- The earth wire must always be connected to the ground. Therefore it is essential to connect the yellow/green conductor to earth.
- Make sure that the power-cord is never crimped or damaged by sharp edges. Check the device and the power-cord from time to time. The electric connection, repairs and servicing must be carried out by a qualified employee.
- Always disconnect power input cable to completely remove power from unit when not in use or before cleaning or servicing the fixture.
- Do not switch the fixture on and off in short intervals as this would reduce the lamp's life.
- Do not touch the device's housing bare hands during its operation (housing becomes hot)! The surface of the product's casing can reach up to 70° C (158° F) during operation. Avoid contact by persons and materials. Do not install the product in a location where there is a risk of accidental contact. Allow the product to cool for at least 10 minutes before handling.
- For replacement use lamps and fuses of same type and rating only.
- Please protect the fixture and avoid destroy during transport and installation. If there is any damage to the coating, the shell may be corroded.
- When hanging lamps and lanterns, it is necessary to verify that facilities and hooks can bear at least 10 times the weight of lamps and lanterns.
- Fix the safety rope at the correct holes only. Only operate the fixture after having checked that the housing is firmly closed and all screws are tightly fastened.
- The maximum ambient temperature 45°C must never be exceeded. Do not operate the product if the ambient temperature (T_a) exceeds 45° C (115° F).

Electrical Warning

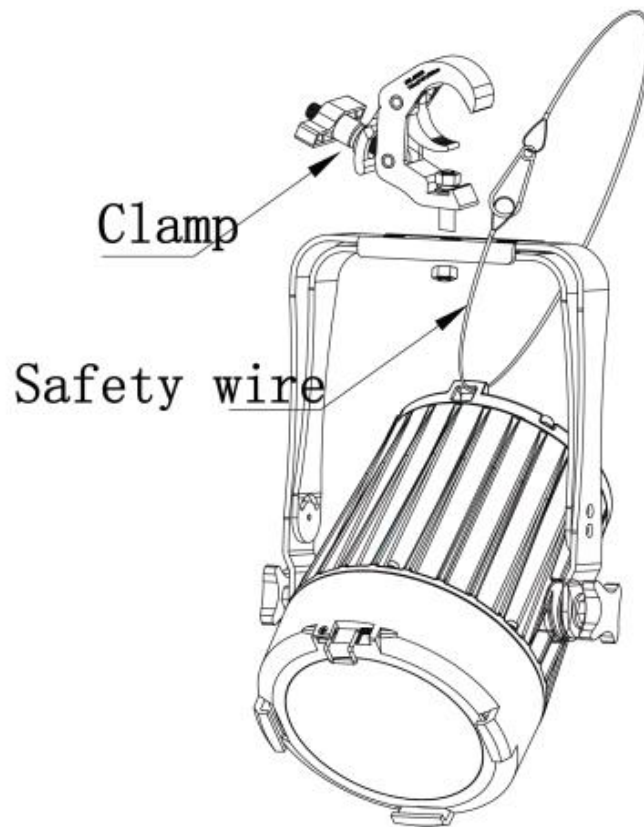
- The light source contained in this luminaire shall only be replaced by the manufacturer or his service agent or a similar qualified person

2 INSTALLATION

2.1 MOUNTING

UPRIGHT

- For overhead use, always install a safety cable that can hold at least 10 times the weight of the fixture.
- For overhead installation, the fixture must be always secured with a safety wire that can bear at least 10 times the weight of the fixture; Secure the fixture with a safety cable through the rear safety eye as shown.
- Ensure that the structure (truss) to which you are attaching the fixture is secure



Hanging layout

2.2 POWER CONNECTIONS

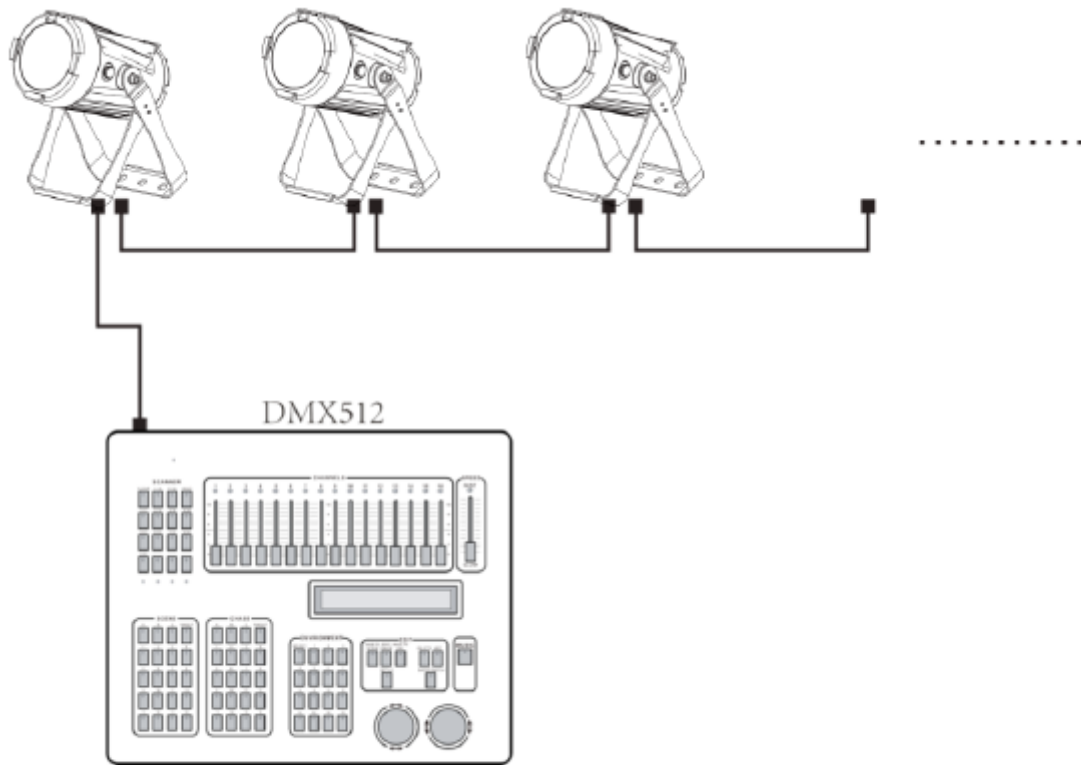
- POWER Linking: 10 units@110V; 20 units@220V.
- This product has an auto-ranging power supply that can work with an input voltage range of 100–240 VAC, 50/60 Hz.

AC Plug

Connection	Wire (US)	Wire (Europe)	Screw Colour
AC Live	Black	Brown	Yellow/Brass
AC Neutral	White	Blue	Silver
AC Ground	Green/Yellow	Green/Yellow	Green

2.3 Data network requirements

- Connect the DMX512 controller to the units in series. A DMX 512 data link is required in order to control the fixture via DMX. The fixture has 3/5-pin XLR connectors for DMX data input and output.
- Each unit has 13 DMX channels so the DMX Addresses should increase by increments of 1, (Nx1)+1, (Nx2)+1, (Nx3)+1...
- Any DMX address in the range from 001 to 512 may be used.



3 FUNCTIONS AND SETTINGS

3.1 DISPLAY OPERATION

- ◆ MENU: Used to access the menu or to return a previous menu option;
- ◆ ENTER: Used to select and store the current menu or confirm the current function value or option within a menu;
- ◆ UP: Navigates downwards through the menu list and increases the numeric value when in a function;
- ◆ DOWN: Navigates upwards through the menu list and decreases the numeric value when in a function;

3.2 Menu Map

STATIC	RED	000 – 255		Combine RED, GREEN, BLUE, WHITE to create an infinite range of colors (0-255) Set the value of the ZOOM. Set the value of the STROBE (0-25Hz)	
	GREEN	000 – 255			
	BLUE	000 – 255			
	WHITE	000 – 255			
	ZOOM	000 – 255			
	STROBE	000 – 255			
ADDRESS	001 – 512 (Default: 001)			Set the DMX Address	
RUN MODE	DMX (Default)			DMX: Use a DMX 512 controller to control. SLAVE: Master-Slave operation	
	SLAVE				
PERSONALITY	HSIC			Use the menu to select desired channel mode	
	SSP				
	TOUR (Default)				
	TR16				
AUTO PROGRAM	AUTO 1	000 – 255		Selects AUTO program and AUTO program speed Programs PR 1 to PR 2 are fully pre-programmed and can be edited in EDIT mode	
	AUTO 2	000 – 255			
	...				
	AUTO 10	000 – 255			
	PR 1				
	PR 2				
EDIT	PROGRAM 1-2	SCENE 01-10	RED	000 – 255	Enter EDIT mode to edit the custom PROGRAM 1 and PROGRAM 2 Each custom program has 30 scenes that can be edited. Fade time, time, 0-255, unit in seconds, fade time should be less than time After editing the program, Play in AUTO
			GREEN	000 – 255	
			BLUE	000 – 255	
			WHITE	000 – 255	
			ZOOM	000 – 255	
			STROBE	000 – 255	
			TIME	000 – 255	
	FADE	000 – 255			
	UPLOAD	****	SEND		Select UPLOAD to upload the custom programs
SETTING	****	RESET	****	RESET	Restore factory settings
		DIMMER	DIM4 (Default)		Dimming Curves – DIM4 or OFF
			OFF		
		DMX ERROR	SAVE (Default)		Hold after loss of DMX signal
			BLACK		Blackout after loss of DMX signal
		LED PWM	1200Hz (Default)		Sets the PWM frequency
2400Hz					

			4000Hz	
			6000Hz	
			25000Hz	
		DISP KEY	ON (Default)	Locks display (passcode is UP, DOWN, UP, DOWN, ENTER)
			OFF	
		DISP TIME	ON	Display backlight always on
			10s	Turns off display backlight after 10s/30s /2min of inactivity
			30s	
			2min	
INFO	FIXTURE HOURS			Hours of fixture use
	VERSION			Software versions
	RDM	UID	0x388Axxxxxxxx	Check fixture's ID
		LABEL	NOVA	Check fixture's label
CCT	1800K			Preset colour temperatures
	2200K			
	2700K			
	3000K			
	3200K			
	4000K			
	4500K			
	5000K			
	5600K			
	6000K			
	6500K			
	7000K			
	8000K			
	10000K			
PRESET COLOUR	Colour 1			Preset colour (See Annex I for details)
	Colour 2			
	...			
	Colour 24			
All passwords for this product are UP, DOWN, UP, DOWN, ENTER				

4 USING A DMX512 CONTROLLER

4.1 DMX CONTROL

HSIC (8CH)	VALUE	FUNCTION
Ch. 1	000 – 255	ITENSITY
Ch. 2	000 – 255	HUE
Ch. 3	000 – 255	HUE FINE
Ch. 4	000 – 255	SATURATION
Ch. 5	CCT	
	000 – 009	No Function
	010 – 024	1800K
	025 – 039	2200K
	040 – 054	2700K
	055 – 069	3000K
	070 – 084	3200K
	085 – 099	4000K
	100 – 114	4500K
	115 – 129	5000K
	130 – 144	5600K
	145 – 159	6000K
	160 – 174	6500K
	175 – 189	7000K
	190 – 204	8000K
205 – 255	10000K	
Ch. 6	STROBE	
	000 – 009	No Function
	010 – 099	Strobe; Slow to Fast (0-25Hz)
	100 – 109	No Function
	110 – 179	Lightning Strobe
	180 – 189	No Function
190 – 255	Random Strobe	
Ch. 7	000 – 255	ZOOM
Ch. 8	CONTROL (Executes after 30 seconds)	
	000 – 010	No Function
	011 – 100	Reserved
	101 – 110	Dimmer Off
	111 – 120	Dimmer DIM4
	121 – 150	Reserved
	151 – 160	1200Hz
	161 – 170	2400Hz
	171 – 180	4000Hz
	181 – 190	6000Hz
	191 – 200	25000Hz
	201 – 210	All Reset
	211 – 220	Zoom Reset
221 – 255	Reserved	

SSP (8CH)	TOUR (12CH)	TR16 (17CH)	VALUE	FUNCTION
Ch. 1	Ch. 1	Ch. 1	000 – 255	MASTER DIMMER
--	--	Ch. 2	000 – 255	MASTER DIMMER FINE
Ch. 2	Ch. 2	Ch. 3	000 – 255	RED
--	--	Ch. 4	000 – 255	RED FINE
Ch. 3	Ch. 3	Ch. 5	000 – 255	GREEN
--	--	Ch. 6	000 – 255	GREEN FINE
Ch. 4	Ch. 4	Ch. 7	000 – 255	BLUE
--	--	Ch. 8	000 – 255	BLUE FINE
Ch. 5	Ch. 5	Ch. 9	000 – 255	WHITE
--	--	Ch. 10	000 – 255	WHITE FINE
--	Ch.6	Ch. 11	PRESET COLOUR	
			000 – 010	No Function
			011 – 255	Preset Colour (See Annex for details)
--	Ch. 7	Ch. 12	CCT	
			000 – 009	No Function
			010 – 024	1800K
			025 – 039	2200K
			040 – 054	2700K
			055 – 069	3000K
			070 – 084	3200K
			085 – 099	4000K
			100 – 114	4500K
			115 – 129	5000K
			130 – 144	5600K
			145 – 159	6000K
			160 – 174	6500K
			175 – 189	7000K
190 – 204	8000K			
205 – 255	10000K			
Ch. 6	Ch. 8	Ch. 13	STROBE	
			000 – 009	No Function
			010 – 099	Strobe; Slow to Fast (0-25Hz)
			100 – 109	No Function
			110 – 179	Lightning Strobe
			180 – 189	No Function
190 – 255	Random Strobe			
--	Ch. 9	Ch. 14	AUTO	
			000 – 040	No Function
			041 – 050	Auto 1
			051 – 060	Auto 2
			061 – 070	Auto 3
			071 – 080	Auto 4
			081 – 090	Auto 5
			091 – 100	Auto 6
			101 – 110	Auto 7
			111 – 120	Auto 8
			121 – 130	Auto 9
			131 – 140	Auto 10
			141 – 150	Program 1
151 – 160	Program 2			
161 – 255	No Function			

--	Ch. 10	Ch. 15	000 – 255	Auto Show Speed Adjustment
Ch. 7	Ch. 11	Ch. 16	000 – 255	ZOOM
Ch. 8	Ch. 12	Ch. 17	CONTROL (Executes after 30 seconds)	
			000 – 010	No Function
			011 – 100	Reserved
			101 – 110	Dimmer Off
			111 – 120	Dimmer DIM4
			121 – 150	Reserved
			151 – 160	1200Hz
			161 – 170	2400Hz
			171 – 180	4000Hz
			181 – 190	6000Hz
			191 – 200	25000Hz
			201 – 210	All Reset
			211 – 220	Zoom Reset
221 – 255	Reserved			

Annex 1

Preset Colour	Value	Colour Name	x	y
--	000 – 015	No Function		
Colour 1	016 – 020	R40 Light Salmon	0.499	0.321
Colour 2	021 – 025	L24 Scarlet	0.561	0.296
Colour 3	026 – 030	L164 Flame Red	0.659	0.302
--	031 – 040	No Function		
Colour 4	041 – 045	L08 Dark Salmon	0.498	0.347
Colour 5	046 – 050	L25 Sunset Red	0.566	0.359
--	051 – 055	No Function		
Colour 6	056 – 060	L237 CID (To Tungsten)	0.43	0.365
Colour 7	061 – 065	R321 Soft Golden Amber	0.477	0.406
Colour 8	066 – 070	L642 Urban Sodium	0.535	0.399
--	071 – 075	No Function		
Colour 9	076 – 080	L765 LEE Yellow	0.389	0.412
Colour 10	081 – 085	L513 Ice and a Slice	0.38	0.447
--	086 – 105	No Function		
Colour 11	106 – 110	L90 Dark Yellow Green	0.184	0.641
--	111 – 115	No Function		
Colour 12	116 – 120	R92 Turquoise	0.235	0.36
--	121 – 135	No Function		
Colour 13	136 – 140	L728 Steel Green	0.256	0.302
Colour 14	141 – 145	L117 Steel Blue	0.223	0.278
Colour 15	146 – 150	L354 Special Steel Blue	0.173	0.265
--	151 – 155	No Function		
Colour 16	156 – 160	L501 New Colour Blue	0.246	0.249
Colour 17	161 – 165	L174 Dark Steel Blue	0.204	0.205
--	166 – 180	No Function		
Colour 18	181 – 185	L142 Pale Violet	0.209	0.148
--	186 – 195	No Function		
Colour 19	196 – 200	L794 Pretty'n Pink	0.335	0.251
Colour 20	201 – 205	L328 Follies Pink	0.335	0.18
--	206 – 215	No Function		
Colour 21	216 – 220	L127 Smokey Pink	0.397	0.265
Colour 22	221 - 225	L192 Flesh Pink	0.41	0.237
--	226 – 235	No Function		
Colour 23	236 – 240	L157 Pink	0.457	0.272
Colour 24	241 – 245	R332 Cherry Rose	0.489	0.295
--	246 – 255	No Function		